

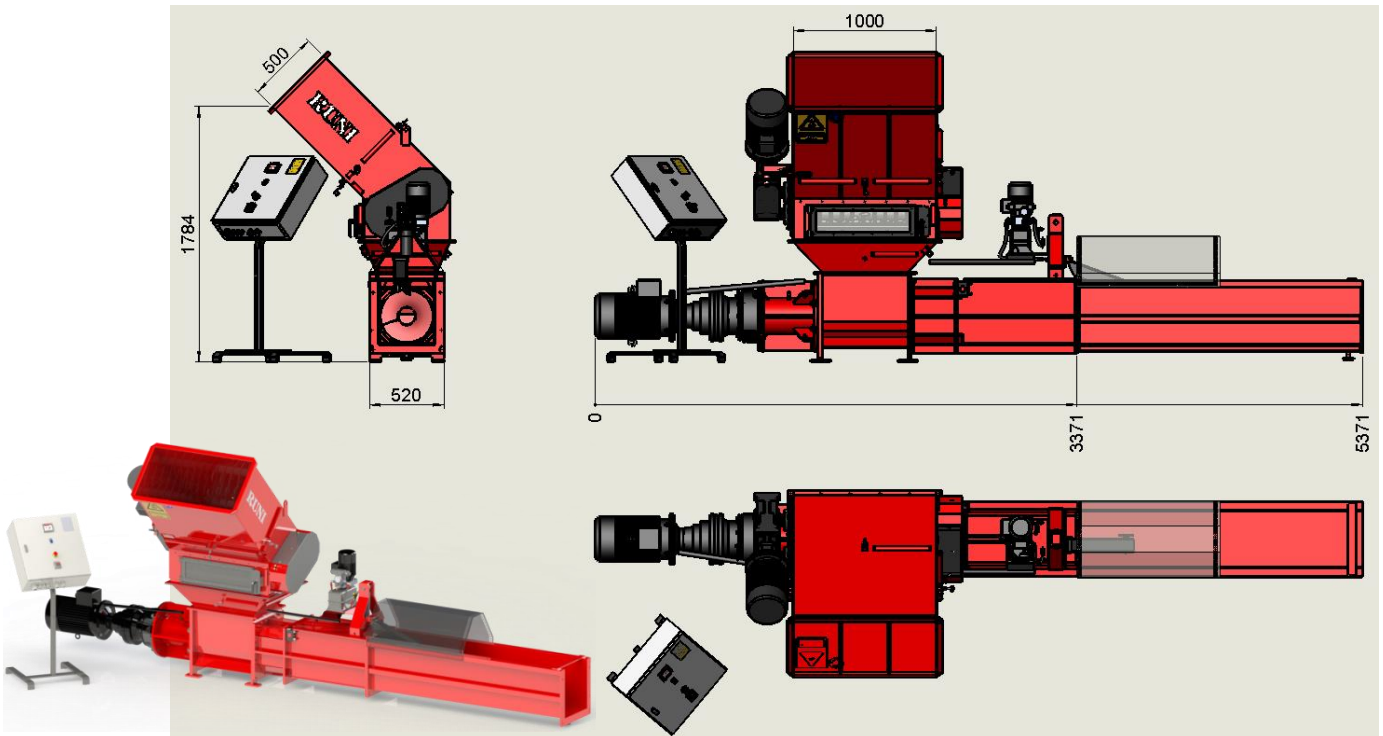


# Compacting XPS

## Technical data specification for SK370

### Dimensional drawing

Subject to technical modifications



Technical data	Europe	USA
Material	XPS	XPS
Achieved density *)	350 kg/m <sup>3</sup>	21 lbs/ft <sup>3</sup>
Capacity per hour *)	70-200 kg	150-440 lbs
Block measurement	380 x 380 mm	14,5 x 14,5 inch
Feed-opening dimension, inlet (standard)	1000 x 500 mm	40 x 20 inch
Weight	1500 kg	3300 lbs
Machine dimension (LxWxH) (standard)	5371 x 1350 x 2150 mm	211 x 53 x 85 inch
Motor power	Main motor: 15 kW Hydraulic pump: 0,55 kW Pre-crusher HD: 4 kW	Main motor: 24 hp (18 kW) Hydraulic pump: 0,88 hp (0,66 kW) Pre-crusher HD: 9 hp (4,8 kW)
Power supply	3 x 400V, 50Hz, 63 A	3 x 480V, 60Hz, 63 A
Marking	CE-approved	CE-approved, UL

\*) Depending on the density of the material



# Compacting XPS

## Description

XPS contains an enormous amount of air, which makes it suitable for compacting which can be a good solution in connection with demolition of buildings, or at producers of XPS, where there are off-cuts, that needs disposal. By compacting the material transport and handling cost are reduced significantly. The compacted XPS can be sold for recycling instead of ending up as waste.



10  1  
 Compaction ratio



## Function

RUNI has developed an SK370 to handle the XPS, which because of its structure can be difficult to compact. When the XPS is fed into the Heavy Duty pre-crusher it will be pre-crushed and afterwards the screw and the automatic hydraulic jaws compact the material into uniform blocks. These can be stacked on a pallet. The machine can be fed manually into a 45° hopper or with a conveyor belt into a vertical hopper. The different incorporated sensors ensure easy operation with the automatic start and stop function. It is also possible to place the compactor under a silo for either XPS dust or smaller pieces.



## Benefits

- Reduce cost for warehouse, transport and disposal.
- Safe and easy operation with automatic start and stop.
- Can be placed under a silo.

## Option

- Pre-crusher for crushing of larger pieces. Different sizes according to need.
- Silo solution for XPS dust or smaller pieces.
- Crane for handling the compacted blocks.